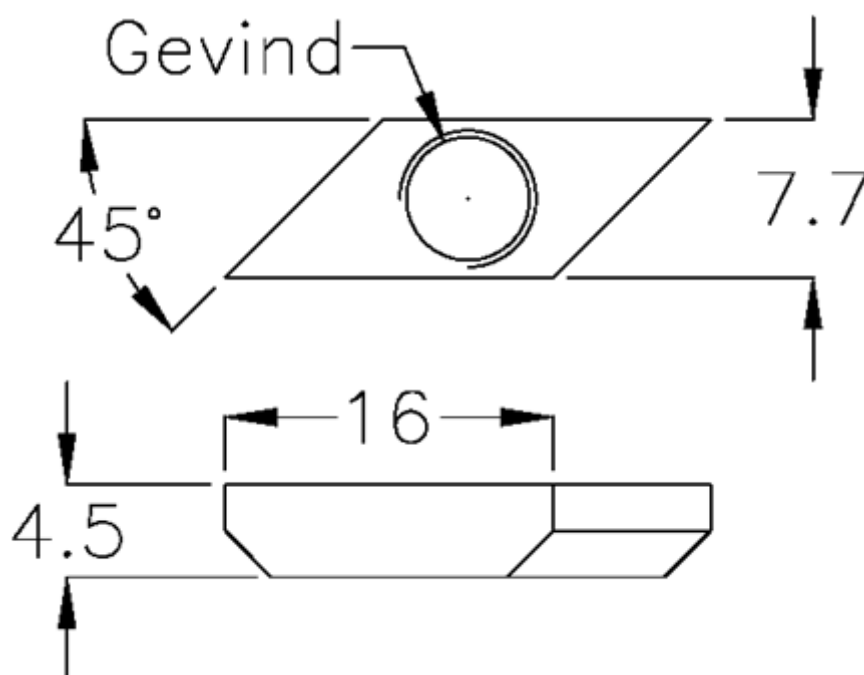


Article number: 0581421007

Description: Hepco MCS 1-242-1007 Angled Nut M5
M5

Measures



Thread = M5